

## External Smooth Tube Connector

The **JXL Series** connectors are ideal for external connections to copper, steel and aluminum tubes, and are used in manufacturing and refrigerant based products such as heat exchangers, pressure vessels, gauges, valves, and HVAC-R systems.



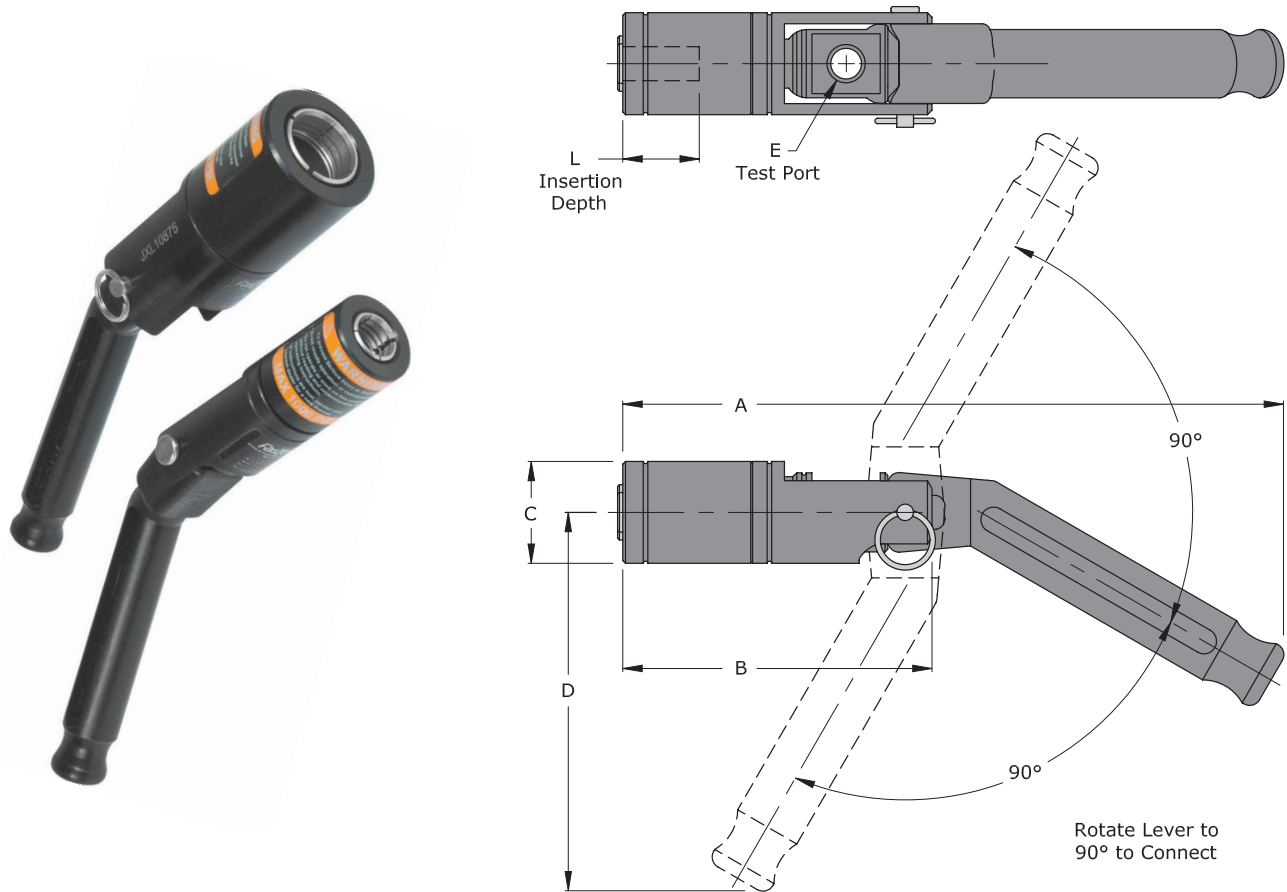
- **Instant connections** from vacuum to 1000 psi
- **Seals** straight bore, step bore, smooth or cast surfaces
- **Safety design** feature prevents accidental disconnect under pressure
- **Collet design** provides maximum grip with minimum distortion of test piece



## Fast Lever Actuated Connections to External Tubes

The unique collet gripping and sealing design seals reliably and resists removal under pressure.





## JXL0 and JXL1 - Lever Actuated Connectors for External Tubes

Part Number	Grip Size (±0.010")	Rated PSI*	Dim A	Dim B	Dim C	Dim D	Dim E	Dim L	Max. Flow Ø	Housing Materials	Seal Material	Main Seals Package (5)
JXL0-0250	0.250"	Vacuum to 1000	7.27 (184.7)	3.42 (86.9)	1.13 (28.8)	4.22 (107.2)	1/8" NPT	0.85 (21.6)	0.24 (6.0)	Aluminum, Stainless Steel and Delrin	Neoprene	SXL0-0250
JXL0-0312	0.312"											SXL0-0312
JXL0-0375	0.375"											SXL0-0375
JXL0-0500	0.500"		SXL0-0500									
JXL1-0625	0.625"		SXL0-0625									
JXL1-0750	0.750"		SXL0-0750									
JXL1-0875	0.875"		SXL0-0875									

\* Pressure rating based on metal test piece not exceeding 30 Rockwell C hardness. As a general guideline, surface must be 5 micro inches or greater. Surfaces less than 5 micro inches not recommended.

**Note:** Dimensions are in inches (mm).

### Product Safety:

All FasTest products have been designed with safety in mind, however, it is the responsibility of the product users to design each process in such a way to avoid mishaps that can cause physical hazard or property loss. Secondary restraints such as safety chains, shields, cages or fixtures are all good choices depending on the application. FasTest can recommend or assist you in clarifying potential hazards of your application.