

Internal Smooth Tube Connector

The **JNL Series** are ideal for internal connections to copper, steel and aluminum tubes used manufacturing and refrigerant based products such as heat exchangers, pressure vessels, gauges, valves, and HVAC-R systems.



- **Instant connections** from vacuum to 1000 psi
- **Seals** straight bore, step bore, smooth or cast surfaces
- **Safety design** feature prevents accidental disconnect under pressure
- **Collet design** provides maximum grip with minimum distortion of test piece

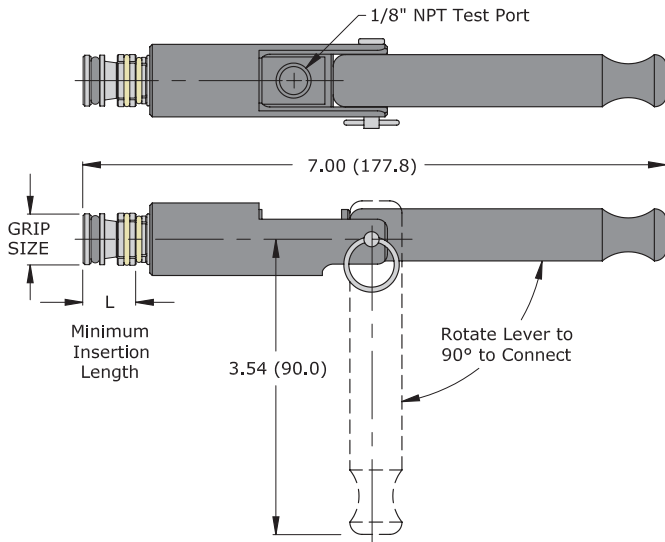


Fast Lever Actuated Connections to Internal Tubes

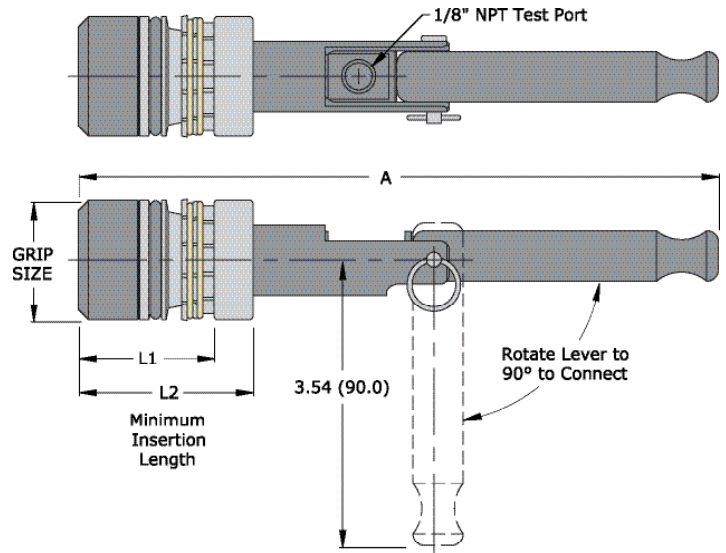
The unique collet gripping and sealing design seals reliably and resists removal under pressure.



JNL0 and JNL1



JNL2



JNL0 and JNL1 - Lever Actuated Connectors for Internal Tubes / Bores

Part Number	Grip Size (+0.010"/-0.010")	Rated PSI*	Flow Diameter	Dim L	Housing Materials	Seal Material	Main Seals Package (5)
JNL0-0375H	0.375"	Vacuum to 1000	0.11 (2.8)	0.53 (13.5)	Aluminum, Stainless Steel and Delrin	Neoprene	SN0-0375H
JNL0-0500H	0.500"						SN0-0500H
JNL1-0590	0.590"		0.17 (4.3)	0.63 (16.1)			SN1-0590
JNL1-0625	0.625"						SN1-0625
JNL1-0750	0.750"						SN1-0750
JNL1-0785	0.785"						SN1-0785
JNL1-0875	0.875"						SN1-0875

JNL2 - Lever Actuated Connectors for Internal Tubes / Bores

Part Number	Grip Size (+0.030"/-0.010")	Rated PSI*	Flow Diameter	Dim A	Dim L1	Dim L2	Housing Materials	Seal Material	Main Seals Package (5)
JNL2-1000	1.000"	Vacuum to 750	0.17 (4.3)	7.18 (182.4)	1.31 (33.3)	1.39 (35.4)	Aluminum, Stainless Steel and Delrin	Neoprene	Consult Factory
JNL2-1125	1.125"								
JNL2-1250	1.250"		0.17 (4.3)	7.30	1.44	1.51			
JNL2-1375	1.375"								
JNL2-1500	1.500"		0.17 (4.3)	7.91	1.69	2.12			
JNL2-1625	1.625"								

* Pressure rating based on the test piece having a surface finish greater than 16 rms and a hardness of no more than 95 Rb to grip and seal at the rated pressure. A surface finish of 8 rms may be acceptable if the test piece has a hardness no greater than 40 Rb.

Note: Dimensions are in inches (mm).