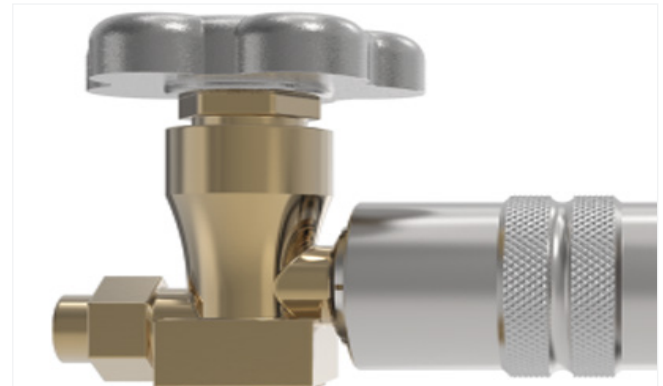


G-Series Adapter / COMPRESSED GAS CONNECTOR

» G-Series Adapter offers flexibility to fill four cylinder heads with one manifold



SPECIFICATIONS

Pressure Rating*	Wetted Materials	Operating Temperatures
Vacuum to 3600 psi (248 bar)	Brass, 300 series SST	0°F to +140°F (-17°C to +60°C)
Termination Port	Other Materials	Seal Material*
CGA580	Brass, 300 series SST	EPDM

- 1 Positive pressure safety latch to prevent removal under pressure
- 2 Lever actuated RPV pin with integrated sleeve lock safety feature
- 3 Ergonomic sleeve quick connect actuation which eliminates repetitive motion injuries
- 4 CGA580 female termination report receives connector

HANDLE OPTIONS

Sleeve Handle

ACTUATION METHOD

Sleeve: Slide to attach to valve

Lever: Twist to actuate RPV pin

ORDERING INFORMATION

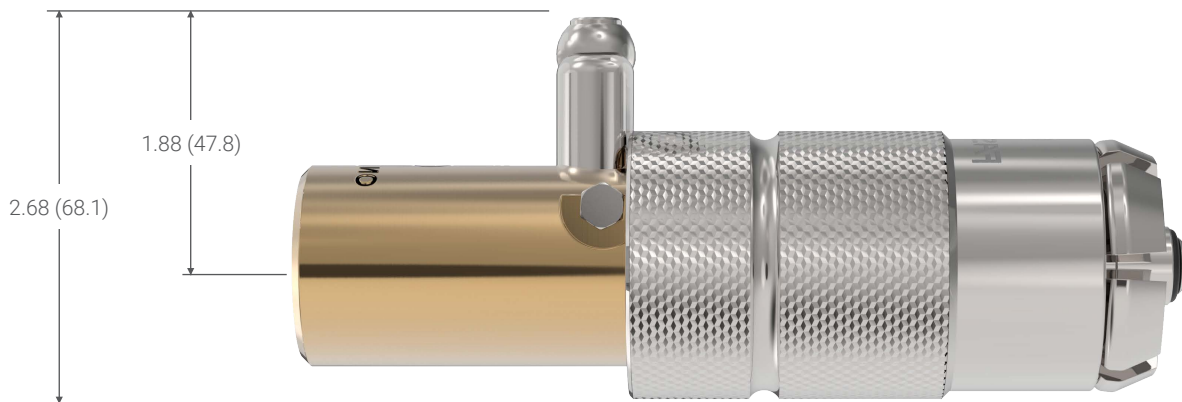
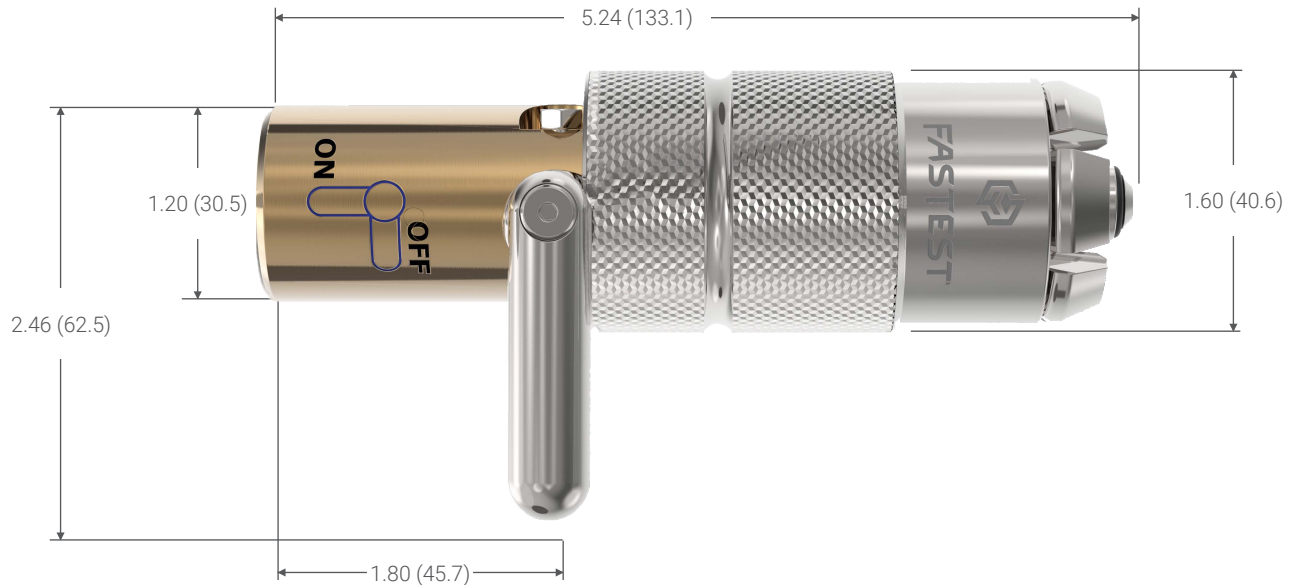
Part ID's	GANFC580 (In-line Termination Port)
Main Seal Kit Part ID's (Qty) / Material	SGANFC (5) / EPDM SGANFC100 (100) / EPDM SGANFC250 (250) / EPDM SGANFC500 (500) / EPDM

G-Series Adapter / COMPRESSED GAS CONNECTOR

» G-Series Adapter offers flexibility to fill four cylinder heads with one manifold

DIMENSIONS

inch (mm)



HOW TO ORDER

Request A Quote

Visit: www.fastestinc.com/en/applicationevaluation

Contact A FasTest Representative

Email: fastsales@fastestinc.com