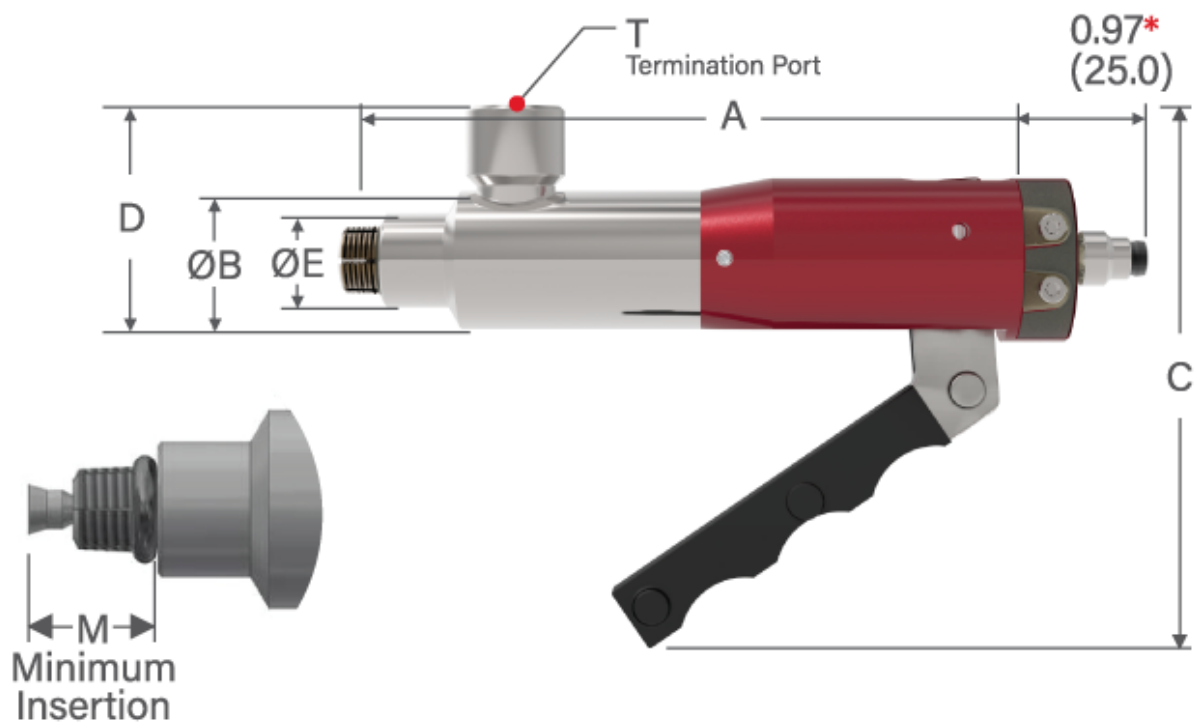


FN Lever actuated Connection Tool for: 1/4 NPT, 5000psi (344.5bar) pressure, 1/4 NPT Female termination, SS, Anodized Aluminum construction with Buna-N seal materials.

SKU: FNL042041



*Dimension only applies to FN with ICON™ Technology (Base Part Numbers that include "CV04ANA" or "CV04SSR").

inches(mm)

Actuation: Lever

Pressure Rating: 5000psi (344.5bar)

Vacuum Rating: Vacuum

Leak Rate Capability: 1E-5cc/s He

Connection / Application Method: Manual

Grip Method: Thread Collets

Dim A: 5in (127mm)



Dim B: 1.06in (26.92mm)

Dim C: 4in (101.6mm)

Dim D: 1.7in (43.18mm)

Dim E: 0.72in (18.29mm)

DIM M - Insertion Depth: 0.67in (17.02mm)

Termination Port (T): 1/4 NPT

Max Termination Torque: 21ft-lbs (28N-m)