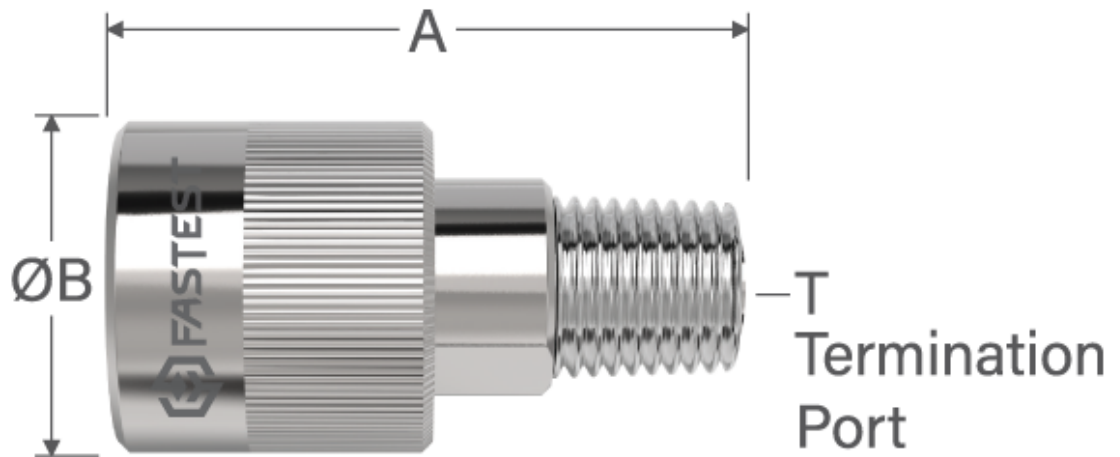




MET Manual Twist Connection Tool for; 1/4 NPT , 5000psi (344.5bar) pressure, 1/4 NPT Male termination, SS construction with Buna-N, Urethane seal materials.

SKU: MET041042



Actuation: Manual Twist

Pressure Rating: 5000psi (344.5bar)

Vacuum Rating: Vacuum

Leak Rate Capability: 1E-5cc/sHe

Connection / Application Method: Manual

Grip Method: Continuous Thread

Dim A: 1.74in (44.2mm)



Dim B: 0.94in (23.88mm)

Termination Port (T): 1/4 MNPT

Max Termination Torque: 21ft-lbs (28N-m)

Connector Type: Standard